



VSYS

AV PRO | ERGO

MOUNTING SOLUTIONS

Affordable Heavy-Duty TV Wall Mounts

firmly hold up to 120" TVs

Toolless Tilting
+10° ~ -10°

Stiffener Design
resists lateral loading



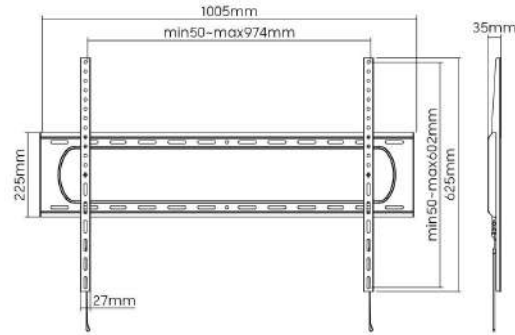
Quick-Release Spring Lock
easy installation only takes seconds

120KG

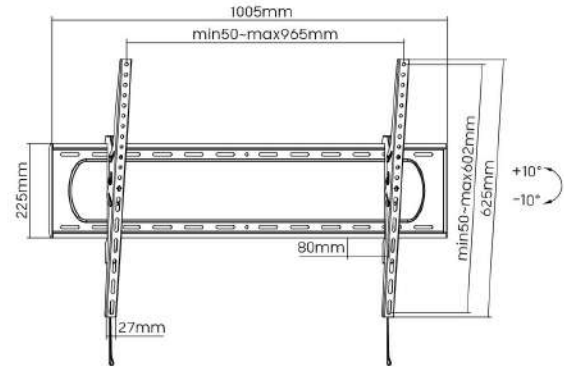
Affordable Heavy-Duty TV Wall Mounts

VSYS

VS01A-69F



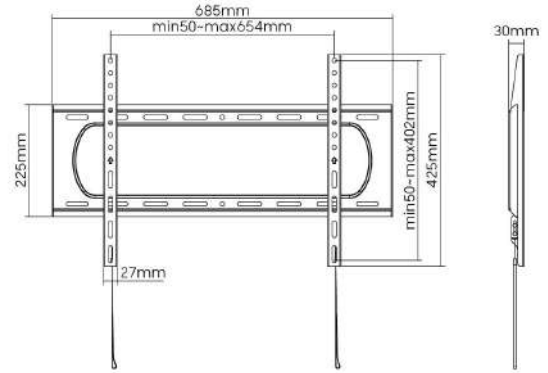
VS01A-69T



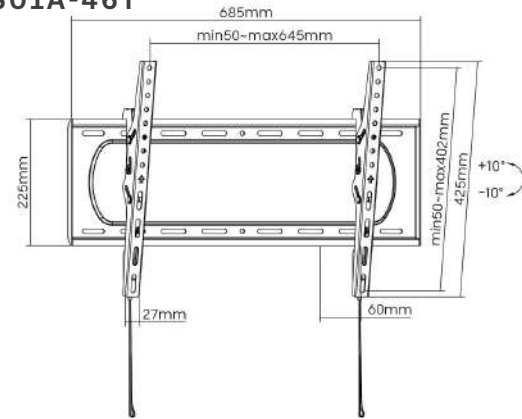
Item No.	VS01A-69F	VS01A-69T
Fit Screen Size	60"-120"	
Max. VESA	900x600	
Weight Capacity	120kg/264lbs	
Tilt Range	/	+10° ~ -10°
Profile	35mm (1.4")	80mm (3.1")

E-mail: info@vsysav.com / www.vsysav.com

VS01A-46F

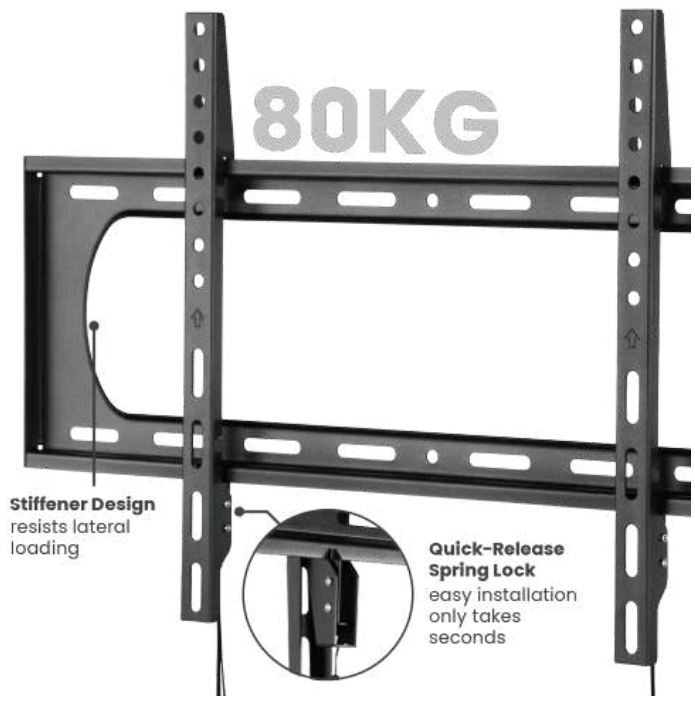


VS01A-46T



Item No.	VS01A-46F	VS01A-46T
Fit Screen Size	37"-80"	
Max. VESA	600x400	
Weight Capacity	80kg/176lbs	
Tilt Range	/	+10° ~ -10°
Profile	30mm (1.2")	60mm (2.4")

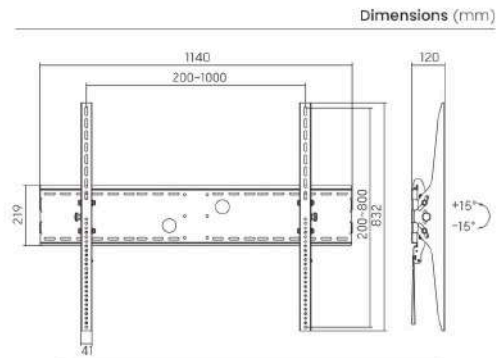
80KG







XX-Large Tilt Wall Mount VSYS

For LED, LCD flat panel TVs up to 100"



+15° -15° Spring Lock 

 200x200, 400x200, 300x300, 400x400, 600x400, 800x400, 800x600, 1000x400, 1000x600, 1000x800

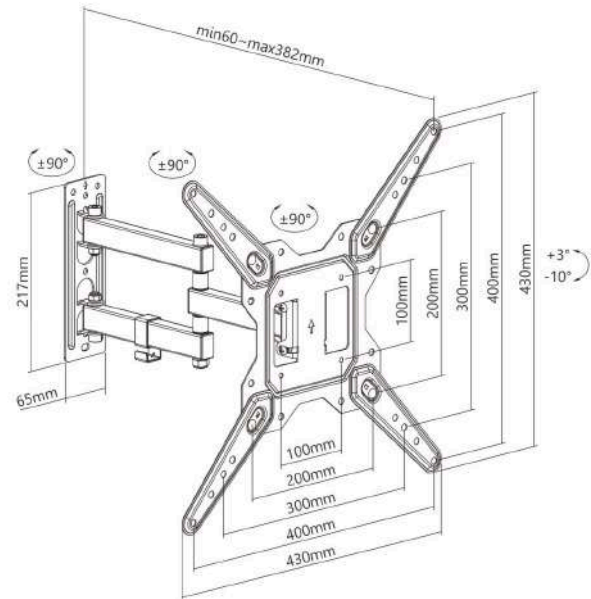


VS01XL-810T

Automatically click-in spring lock with easily-release cord

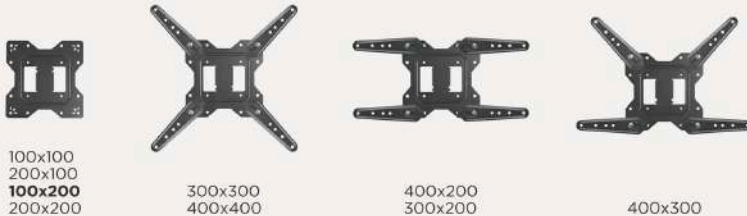


VS02E-443
Economical Full-Motion TV Wall Mounts



- **Tilt and Swivel**
ensure the TV is perfectly positioned for any seat in the house
- **Adjustable Adaptor Arms**
extend to fit various screen sizes
- **Extend or Retract Easily**
for comfortable viewing distance
- **Cable Management**
for a clean appearance

100X100 - 400X400 VESA Range
 (100x200 VESA compatible with 43" SONY TVs)

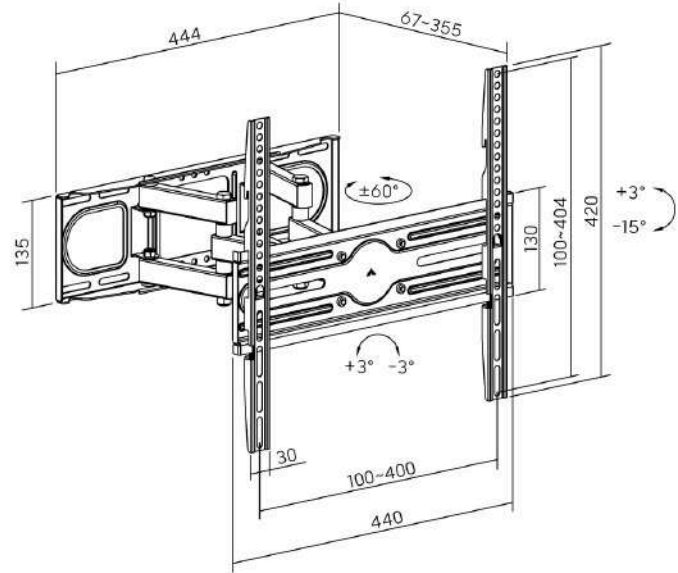


Item No.	VS02E-443
Screen Size	23"-55"
Max. VESA	400x400
Weight Capacity	30kg/66lbs
Strength Tested	3 Times Approved
Profile	60-382mm (2.4"-15")
Tilt Range	+3°--10°
Swivel Range	+90°--90°

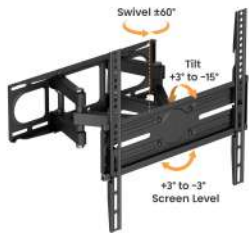
VS02SE-446

VSYS

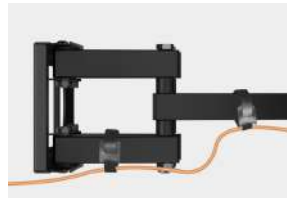
SUPER ECONOMY FULL-MOTION TV MOUNT



Full-motion design to optimize viewing flexibility.



2 Height Settings
offer an optimal viewing position



Cable Management
includes hook & loop fasteners for a clean look

Item No.	VS02SE-446
Fit Screen Size	32"-70"
Max. VESA	400x400
Weight Capacity	40kg (88lbs)
Profile	67-355mm (2.6"-14")
Tilt Range	+3°~-15°
Swivel Range	+60°~-60°
Screen Level	+3°~-3°
Material	Steel, Plastic

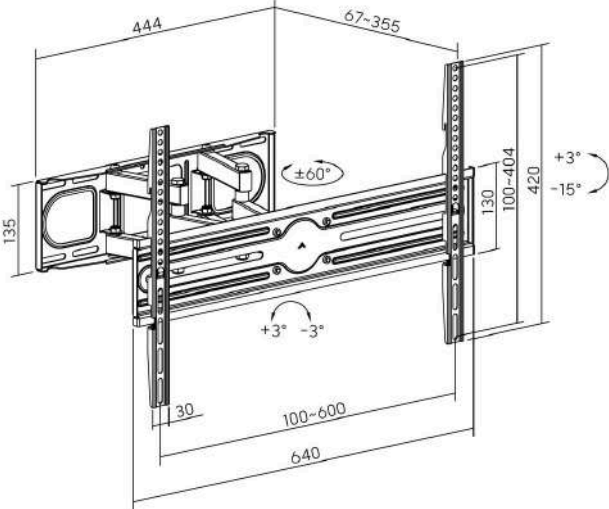
E-mail: info@vsysav.com / www.vsysav.com

VS02SE-466

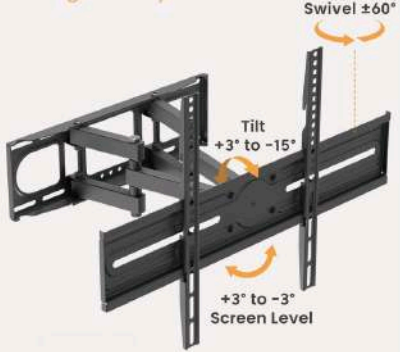


Super Economy Full-Motion TV Wall Mounts

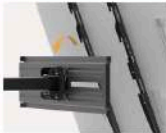
Effortlessly elevate your comfort.



Full-motion design to optimize viewing flexibility.



2 Height Settings
offer an optimal viewing position



Easy Installation
conveniently hang your TV on the wallplate

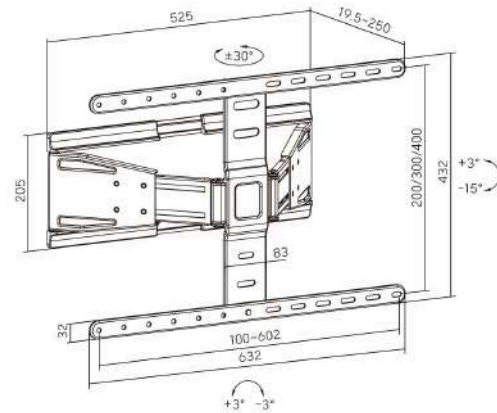
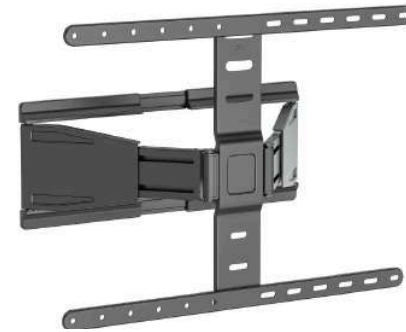


Cable Management
includes hook & loop fasteners for a clean look

Item No.	VS02SE-466
Fit Screen Size	37"-80"
Max. VESA	600x400
Weight Capacity	40kg (88lbs)
Profile	67-355mm (2.6"-14")
Tilt Range	+3°~-15°
Swivel Range	+60°~-60°
Screen Level	+3°~-3°
Material	Steel, Plastic

VS02US-464
Ultra-Slim Full-Motion TV Wall Mounts

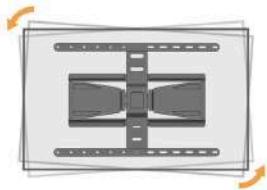
VSYS



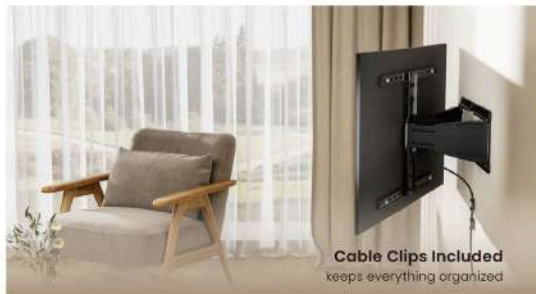
SWIVEL: +30° to -30°



TILT: +3° to -15°



LEVELING: +3° to -3°



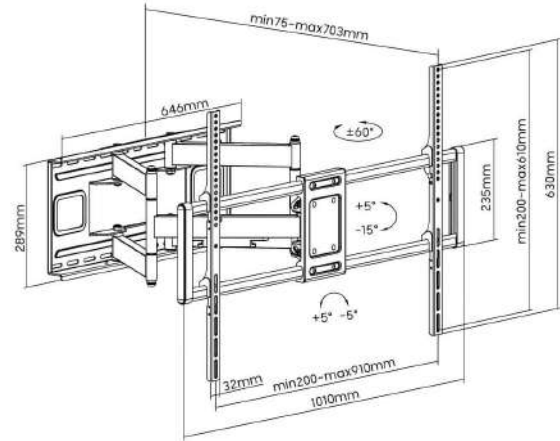
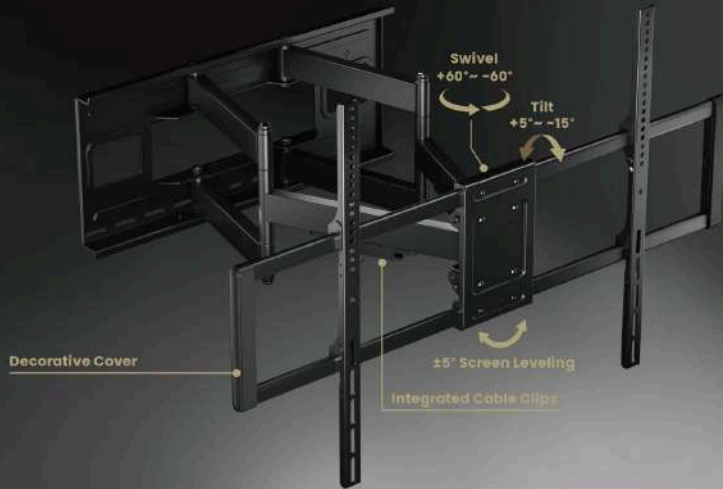
Cable Clips Included
keeps everything organized

Item No.	VS02US-464
Fit Screen Size	43"-90"
Weight Capacity	50kg (110lbs)
Max. VESA	600 x 400
Profile	19.5-250mm (0.77"-9.8")
Tilt Range	+3°--15°
Swivel Range	+30°--30°
Screen Leveling	+3°--3°
Material	Steel, Plastic

E-mail: info@vsysav.com / www.vsysav.com

VS02D-696 Heavy-Duty Full-Motion TV Wall Mounts

VSYS



Quick-Release Design
lock or release the TV in a snap



Item No.	VS02D-696
Fit Screen Size	60"-120"
Max. VESA	900x600
Weight Capacity	120kg/264lbs
Strength Tested	3 Times Approved
Profile	75-703mm (3"-27.7")
Tilt Range	+5° ~ -15°
Screen Level	+5° ~ -5°
Swivel Range	+60° ~ -60°

E-mail: info@vsysav.com / www.vsysav.com

VSVW02-46T

Multi-screen Video wall mounts

Built video wall easily!



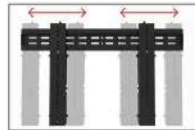
Easily pop-out & quick-lock mechanism



Protects Displays
by removing the possibility of accidental pop-outs via the plastic locking pieces



Built-in Screen Level Adjustment
for seamless display alignment and level



Lateral Shift Brackets
enable easy alignment



Anti-Theft Design
(require for a padlock)



Quick-Lock by a Press
allows easy installation



Easily Pulled Out for Quick Maintenance

VSYS

Multi-screen Video wall mounts

Built video wall easily!

VSVW02-46T



Screen Size
37" - 70"



VESA Compatible
300x200 300x300
400x200 400x400
600x400



Profile to Wall
68-215mm/
2.7"-8.5"



Four Times
Strength Tested



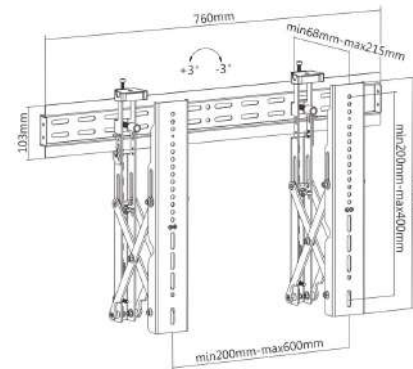
Screen Level
+3° - -3°



Weight Capacity
45kg/99lbs



Anti-theft



E-mail: info@vsysav.com / www.vsysav.com

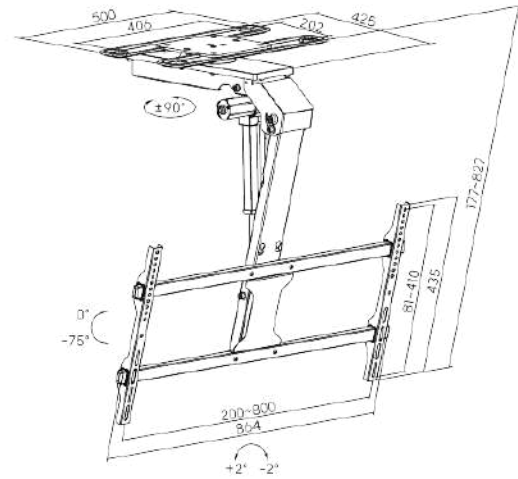


Smart Electric TV Ceiling Mounts **VSYS**

VCM-MO748DS



Dimensions (mm)

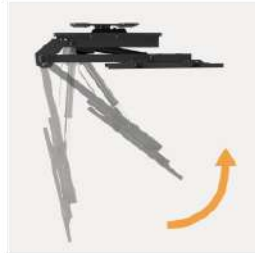


Multiple Control Options



Smart Voice Control

Control via Amazon Alexa / Google Home. Effortlessly adjust the TV position with a simple voice command.



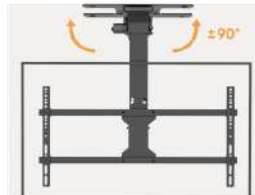
Foldable Design

flip up to save space when not in use



Smart App Control

Control via the Tuya APP in the phone. No more fumbling with complex buttons.



-90° to +90° Screen Swiveling

offers various viewing angles



Remote Control

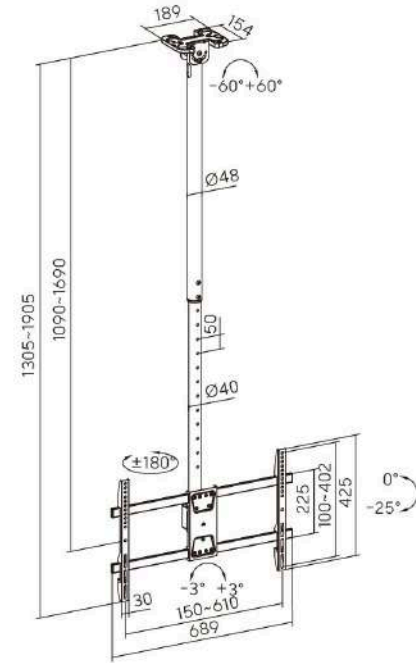
Simple buttons ensure easy TV movements.

E-mail: info@vsysav.com / www.vsysav.com

VSYS

VCM-CE1546L

Cost-Effective Heavy-Duty TV Ceiling Mounts



Item No.	VCM-CE1546L
Fit Screen Size	43" - 86"
Max. VESA	600x400
Weight Capacity	60kg (132lbs)
Strength Tested	4 Times Approved
Profile	1090-1690mm (42.9"-66.5")
Tilt Range	0° - -25°
Swivel Range	$+180^\circ$ - -180°
Screen Level	$+3^\circ$ - -3°

E-mail: info@vsysav.com / www.vsysav.com

Cost-Effective Heavy-Duty TV Ceiling Mounts

VSYS

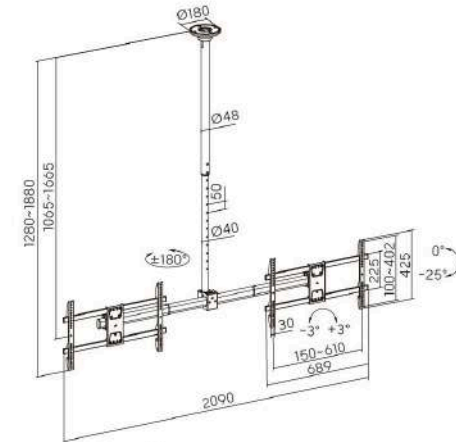


Side by Side Dual Screen Mount

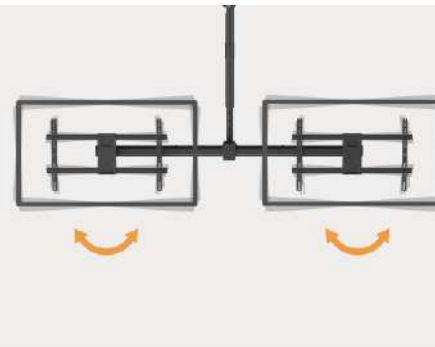
seamless display for an eye-pleasing look and a better viewing experience

VCM-CE1546SL

For Flat Ceiling

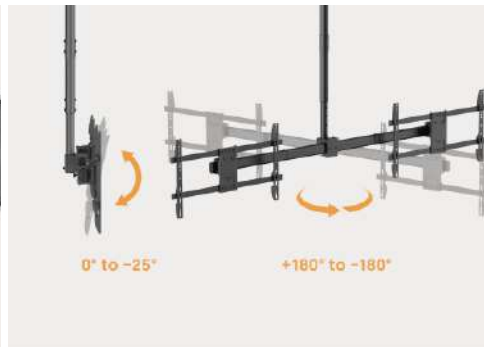


Item No.	VCM-CE1546SL
Fit Screen Size	34" - 60"
Max. VESA	600x400
Weight Capacity (per screen)	40kg (88lbs)
Strength Tested	4 Times Approved
Profile	1065-1665mm (41.9"-65.6")
Tilt Range	0°--25°
Swivel Range	+180°~-180°
Screen Level	+3°--3°



Leveling Adjustment

allows the TV to be perfectly positioned after hanging



Freely Tilting & Swiveling

provide maximum flexibility for an ideal viewing angle



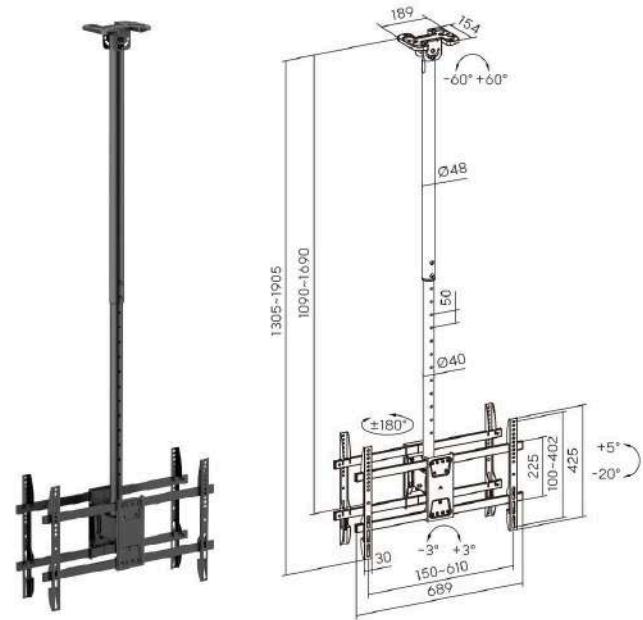
Back to Back Dual Screen Mount
enhances space efficiency and accommodates viewing from different positions



Side by Side Dual Screen Mount
seamless display for an eye-pleasing look and a better viewing experience

VCM-CE1546BL

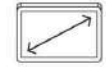
For Flat or Pitched Ceiling



Item No.	VCM-CE1546BL
Fit Screen Size	43" - 86"
Max. VESA	600x400
Weight Capacity (per screen)	50kg (110lbs)
Strength Tested	4 Times Approved
Profile	1090-1690mm (42.9"~66.5")
Tilt Range	+5°~-20°
Swivel Range	+180°~-180°
Screen Level	+3°~-3°

Heavy-Duty TV Ceiling Mount

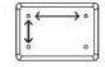
VCM-CE1046D-02



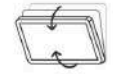
Screen Size
37"-80"



Weight Capacity
70kg/154lbs



VESA Compatible
300x200 300x300 400x200
400x300 400x400 600x400

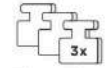


Tilt Range

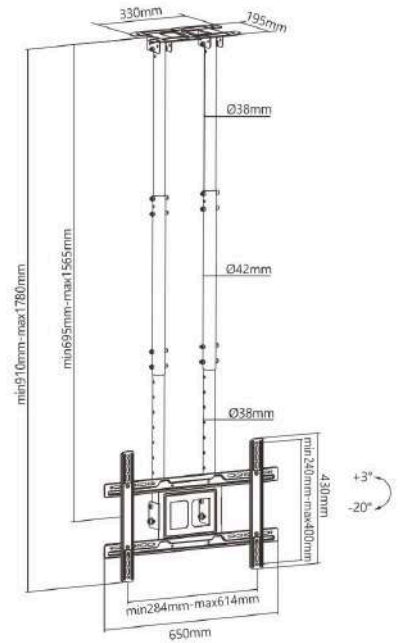
+3°--20°



Cable Management



Three Times
Strength Tested

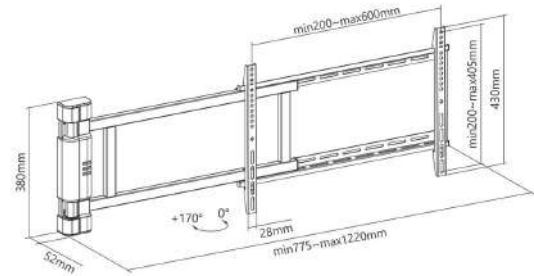


VCM-M06
Motorized Swing TV Mounts



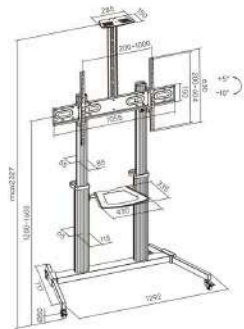
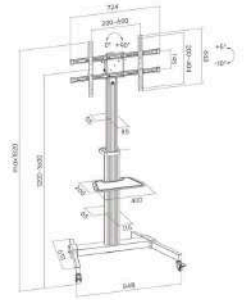
VCM-M06 Motorized

VSYS



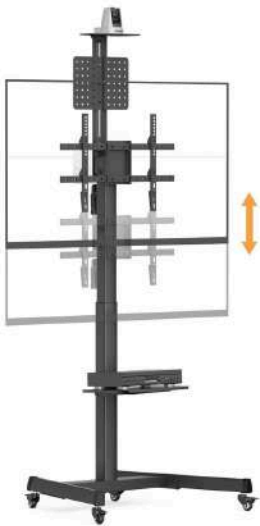
Item No.	VCM-M06
Fit Screen Size	32"-75"
Max. VESA	600x400
Weight Capacity	50kg (110lbs)
Strength Tested	3 Times Approved
Profile	56mm(2.2")
Swivel Range	0°-+170°

Cost-Effective Aluminum TV Carts



Item No.	VFS44-46TW	VFS44-610TW
Fit Screen Size	37"- 86"	60"- 100"
TV Weight Capacity	50kg (110lbs)	100kg (220lbs)
Shelf Weight Capacity	5kg (11lbs)	5kg (11lbs)
Max. VESA	600x400	1000x600
Strength Tested	4 Times Approved	3 Times Approved
Tilt Range	+5°--10°	+5°--10°
Material	Aluminum, Steel, Plastic	Aluminum, Steel, Plastic
Color		

Telescope Height-Adjustable Steel TV Carts



With Easy Crank Handle
smooth and effortless TV height adjustment



With Spring Lock
makes it easier and effortless to adjust height to a desired position



Freely Tilting Mechanism
easily adjusts angle, reducing glare for optimal comfort



Portrait or Landscape Viewing
allows customized placement to match different viewing needs anytime



Pegboard Storage Panel
conveniently organizes TV boxes, cables, and other accessories



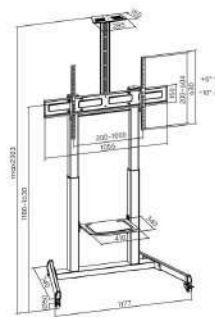
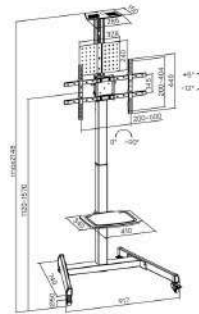
Height Adjustable Camera Shelf
provides flexible and secure camera positioning



Height Adjustable Equipment Shelf
provides more storage space for DVDs or other accessories



Heavy-Duty Lockable Casters
provides solid yet rollable footing



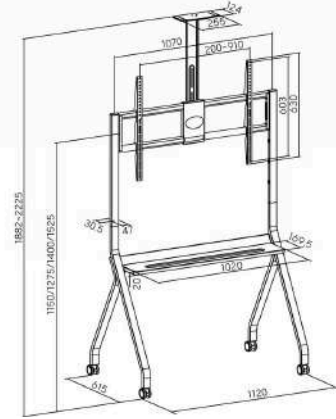
Item No.	VTLS17-46TW	VTLS17-610TW
Fit Screen Size	37"-70"	60"-100"
VESA Compatible	200x200,400x200,300x300,400x300,400x400,600x400	200x200,400x200,300x300,400x300,400x400,600x400,800x400,600x600,800x600,1000x600
Tilt Range	+5° - -12°	+5° - -10°
Screen Rotation	0°-+90°	/
Height Range	450mm (17.7")	450mm (17.7")
TV Weight Capacity	70kg (154lbs)	120kg (264lbs)
Shelf Weight Capacity	5kg (11lbs)	5kg (11lbs)
Camera Rack Weight Capacity	5kg (11lbs)	5kg (11lbs)



Cost-Effective Heavy Duty TV Cart

VSYS

VTLX16-69FW for large screens



Item No.	VTLX16-69FW
Fit Screen Size	55"-100"
TV Weight Capacity	120kg (264lbs)
Shelf Weight Capacity	10kg (22lbs)
Camera Rack Weight Capacity	5kg (11lbs)
Height Range	1150mm/1275mm/1400mm/1525mm (45.3"/50.2"/55.1"/60")
Max. VESA	900x600
Strength Tested	3 times approved
Material	Steel, Plastic

E-mail: info@vsysav.com / www.vsysav.com

Heavy Duty Height Adjustable Steel TV Cart



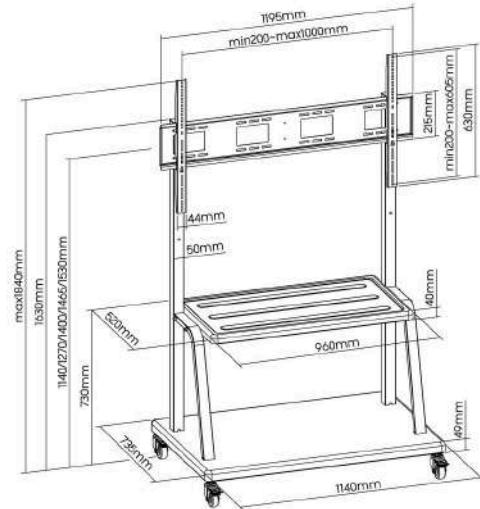
5 Vertical Height Setting
ensures ideal viewing height

Equipment Shelf
for equipment or materials

Sturdy Base
ensures stability & offers extra storage for items

Locking Casters
ensure mobility & stability

VTL-1035LE

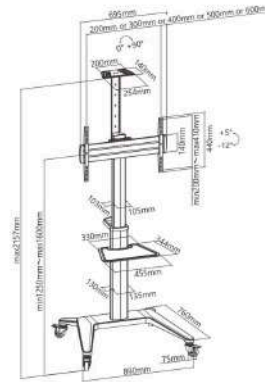


Item No.	VTL-1035LE
Fit Screen Size	55"-100"
Max. VESA	1000x600
TV Weight Capacity	150kg (330lbs)
Shelf Weight Capacity	20kg (44lbs)
Material	Steel, Plastic

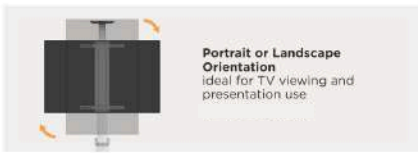
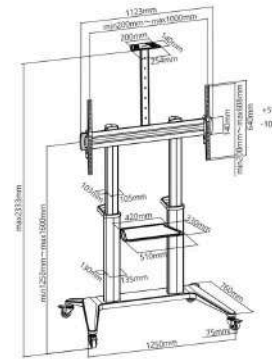
Ultra-Modern Aluminum TV Carts



VTLS12-46TW Landscape/Portrait Orientation



VTLX12-610TW Landscape Orientation Only



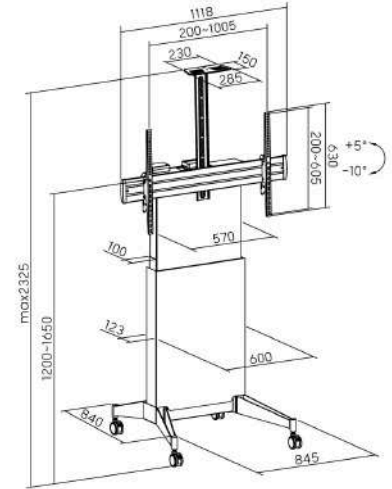
Item No.	VTLS12-46TW	VTLX12-610TW
Screen Size	37"-70"	70"-120"
Max. VESA	600x400	1000x600
TV Weight Capacity	70kg/154lbs	140kg/308lbs
Shelf Weight Capacity	5kg/11lbs	5kg/11lbs
Strength Tested	Four Times	Three Times
Tilt Range	+5°--12°	+5°--10°
Screen Rotation	0°--90°	/



Modern Motorized Height Adjustable TV Cart

VSYS

VTLX18H-610TW



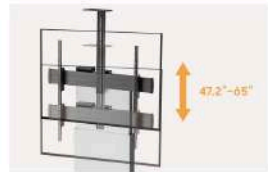
Powerful Lifting Motor
smooth and quiet movement - even with heavier TVs



Two Control Ways
2-memory RF remote control and simple button control available



Freely Tilting Mechanism
easily adjusts angle, reducing glare for optimal comfort



Ample Height Adjustment Range
wide height range accommodates different room sizes for comfortable viewing



Height Adjustable Camera Shelf
provides flexible and secure camera positioning for optimal video quality



Heavy-Duty Lockable Casters
provides solid yet rollable footing

Item No.	VTLX18H-610TW
Screen Size	55"-100"
Max. VESA	1000x600
TV Weight Capacity	120kg (264lbs)
Camera Rack Weight Capacity	5kg (11lbs)
Strength Tested	4 Times Approved
Height Range	1200~1650mm (47.2'~65")
Tilt Range	+5°~-10°

E-mail: info@vsysav.com / www.vsysav.com

Economical Spring-Assisted Monitor Arms

VSYS

- **Premium Mechanical Spring** ensures long life span and stability
- **Self-Adjusting Counterbalance** for full-range movement with effortless control



Clamp

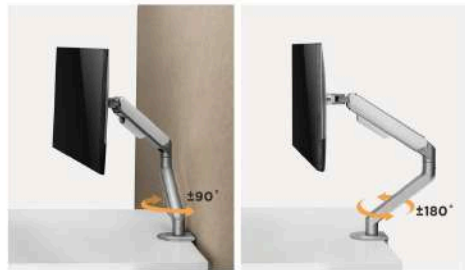
Grommet



VESA Plate with Keyhole Slots provide quick monitor installation



Quick-Release Joint for compact package and less shipping cost.



180° Rotation Stop protects wall and adjoining space by limiting motion



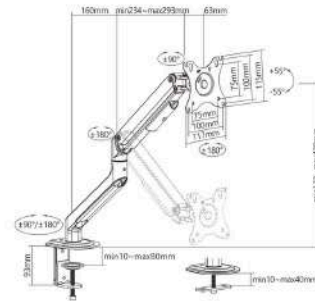
Integrated Cable Management keeps desktops free of cords and clutter



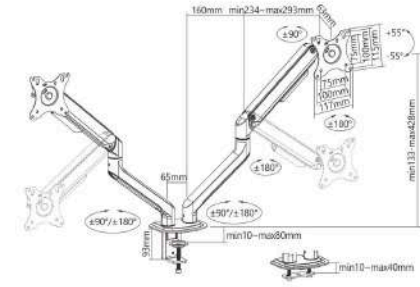
▲ **VMAE-C012WS** For Single Monitor

▲ **VMAE-C024WS** For Dual Monitors

VMAE-C012WS



VMAE-C024WS



Colors: ■ ■ ■

Item No.	VMAE-C012WS / VMAE-C024WS
Screen Size	17"-32"
Weight Capacity (per screen)	2-9kg/4.4-19.8lbs
VESA Compatible	75x75, 100x100
Tilt Range	+55°--55°
Swivel Range	+90°--90°
Screen Rotation	+180°--180°
Material	Aluminum, Steel, Plastic

VSYS

CONTACT :-

+971 0542044333 /
+971 0562-356660
info@vsysav.com

UAE

#1003 Al Masaood tower,
tower 2, Dubai, UAE
P.O. Box No. 40214