



**VSYS**  
AV PRO | ERGO  
MOUNTING SOLUTIONS

## WHO WE ARE

The name "VSYS" originates from Vantage Systems Inc., which has over 28 years of experience in AV distribution.

We are proud to introduce our new brand, VSYS in the GCC markets. Building on our legacy of excellence, VSYS specializes in AV Pro and Ergo mounting equipment, offering cutting-edge solutions designed to meet the evolving needs of modern workplaces and educational environments. Our commitment to innovation, quality, and customer satisfaction continues to drive us as we expand our product range to elevate your audiovisual experience.





WE PROVIDE ONE-STOP MOUNTING SOLUTIONS FOR OFFICE, HOME AND PRO AV MARKETS



# CONTENTS

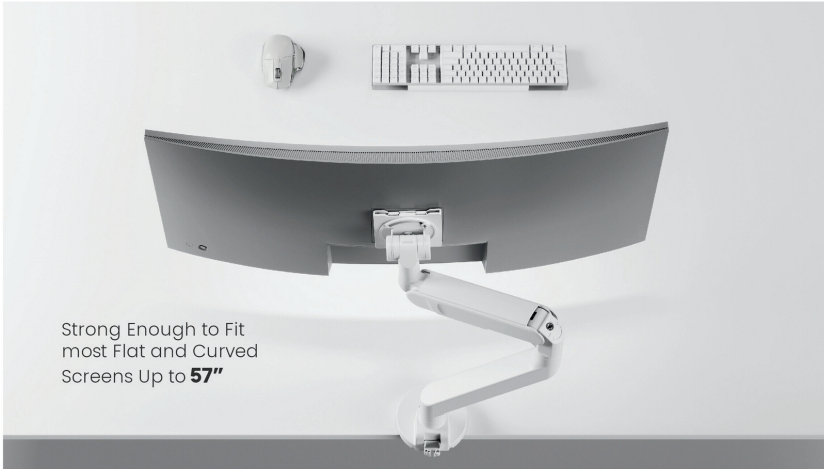
<b>1 - 3</b>	VMA Series: Gas Spring, Mechanical Spring, Articulating, Pro Gaming Monitor Arms
<b>4 - 5</b>	VS01 Series: Fixed & Tilt and Other Heavy Duty TV Wall Mounts
<b>6 - 8</b>	VS02 Series: Full Motion, Motorized and Other Heavy Duty TV Wall Mounts
<b>9 - 10</b>	VFS & VTL Series: Cost-Effective, Telescopic Height-Adjustable, Motorized TV Carts
<b>11 - 12</b>	VSVW Series: Horizontal & Vertical Orientation Video Wall Mounts
<b>13 - 14</b>	VCM Series: Single & Dual, Fixed, Swivel and Motorized Heavy Duty TV Ceiling Mounts

2025

[WWW.VSYSAV.COM](http://WWW.VSYSAV.COM)



**VMA Series**  
Future-Proof Heavy-Duty Gas Spring Monitor Arms



Strong Enough to Fit  
most Flat and Curved  
Screens Up to **57"**



**Detachable VESA Plate**  
for quick installation and removal



**Integrated Rotation Stop**  
prevents the arm from hitting adjacent partitions and walls



**Topside Installation**  
no more crawling under desks



**Optional USB Access**  
snap-off plates on the base for data or to charge devices (for LDT92-C012UC)



**VMA Series**  
Future-Proof Heavy-Duty Gas Spring Monitor Arms

**VSYS**



## VMA Series

### Economical Spring-Assisted Monitor Arms

- **Premium Mechanical Spring** ensures long life span and stability
- **Self-Adjusting Counterbalance** for full-range movement with effortless control



**VESA Plate with Keyhole Slots** provide quick monitor installation



**Clamp**

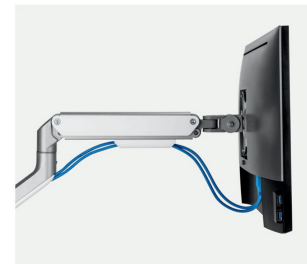
**Grommet**



**Quick-Release Joint** for compact package and less shipping cost



**180° Rotation Stop** protects wall and adjoining space by limiting motion



**Integrated Cable Management** keeps desktops free of cords and clutter

# VMA Series Economical Counterbalance Spring-Assisted Monitor Arms

For most 17"-32" monitors

**Affordable | Aesthetic | Flexible**

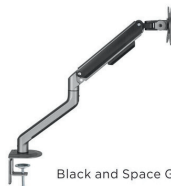
The VMA Spring-Assisted Monitor Arms epitomize simplicity and aesthetics of form yet offer great functionality. With the counterbalance design, they provide full range of motion with finger-touch adjustment for comfortable viewing. Perfect for adding flexibility and ergonomics to the work place.



Available in 3 colors



Wood and Space Gray



Black and Space Gray



White and Silver

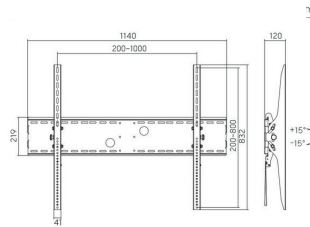




VS01 Series


# XX-Large Tilt Wall Mount

For LED, LCD flat panel TVs up to 100"

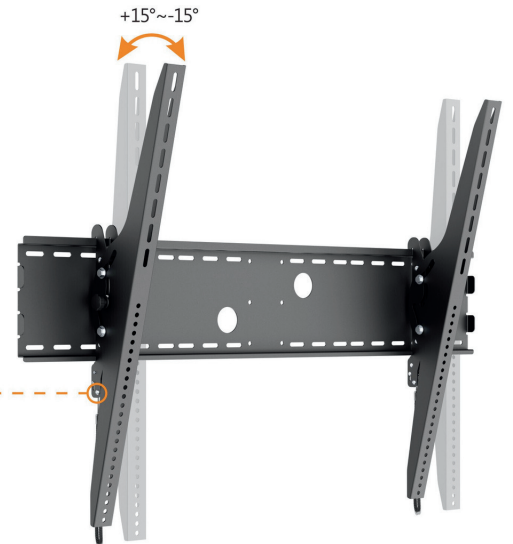
# VSYS



Spring Lock  

 200x200, 400x200, 300x300, 400x400, 600x400, 800x400, 800x600, 1000x400, 1000x600, 1000x800

Automatically click-in spring lock with easily-release cord



LP37-810T  
VS01 Series

MOST **60"-100"** MAX.VESA 1000x800

 **100kg/220lbs**

 **Four Times Strength Tested**

 **130mm**

**We are family**



## VS01 Series Affordable Heavy-Duty TV Wall Mounts

### VS01 Series Affordable Heavy-Duty TV Wall Mounts

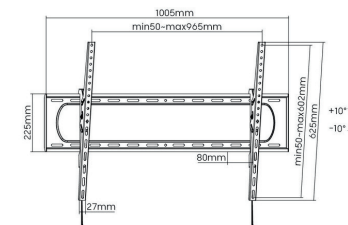
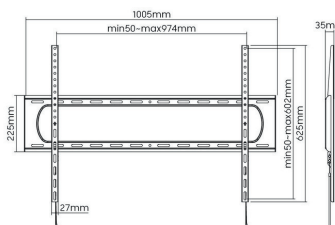
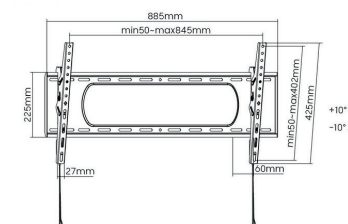
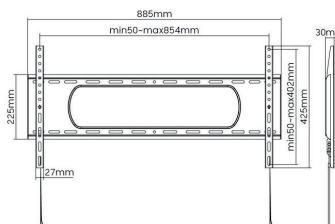
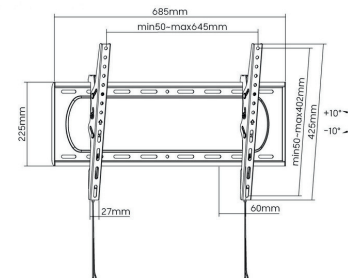
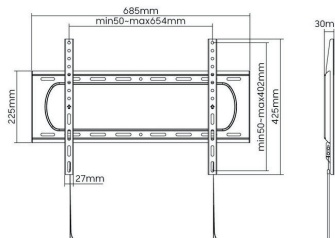
firmly hold up to 120" TVs

Toolless Tilting  
+10° ~ -10°

Stiffer Design  
resists lateral loading

Quick-Release Spring Lock  
easy installation only takes seconds

# 120KG

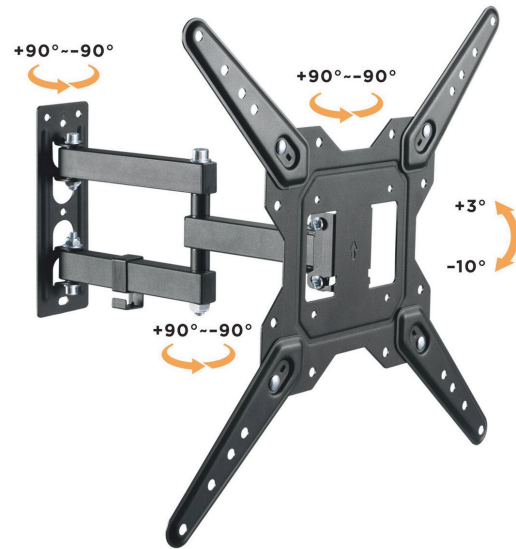


	37"-80"		43"-90"		60"-120"	
Fit Screen Size	37"-80"		43"-90"		60"-120"	
Max. VESA	600x400		800x400		900x600	
Weight Capacity	80kg/176lbs		80kg/176lbs		120kg/264lbs	
Tilt Range	/	+10° ~ -10°	/	+10° ~ -10°	/	+10° ~ -10°
Profile	30mm (1.2")		30mm (1.2")		35mm (1.4")	
	60mm (2.4")		60mm (2.4")		80mm (3.1")	

## VS02 Series

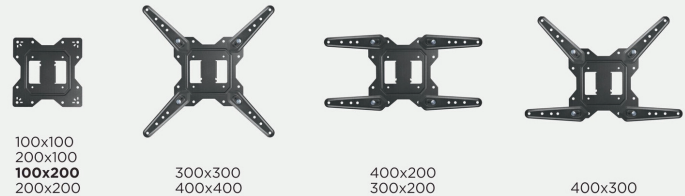
### Economical Full-Motion TV Wall Mounts

## VS02 Series Economical Full-Motion TV Wall Mounts



- **Tilt and Swivel!**  
ensure the TV is perfectly positioned for any seat in the house
- **Extend or Retract Easily**  
for comfortable viewing distance
- **Adjustable Adaptor Arms**  
extend to fit various screen sizes
- **Cable Management**  
for a clean appearance

**100X100 – 400X400 VESA Range**  
(100x200 VESA compatible with 43" SONY TVs)



VS02 Series

# Ultra Slim

Full-Motion TV Wall Mounts

19.5mm  
(0.77")



*Seamlessly blend into any décor,  
make the TV like a piece of art.*

# VSYS

VS02 Series

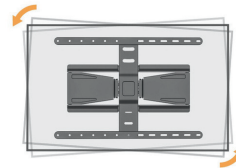
Ultra-Slim Full-Motion TV Wall Mounts



**Smooth Movement with Ample Range of Motion**  
effortlessly adjust to the optimal position for a better viewing experience



SWIVEL: +30° to -30°



LEVELING: +3° to -3°



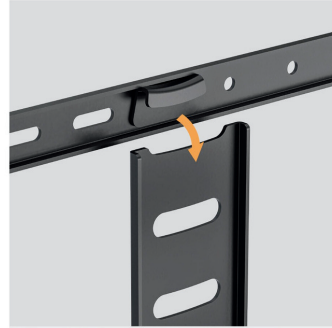
TILT: +3° to -15°



Cable Clips Included  
keeps everything organized

## VS02 Series

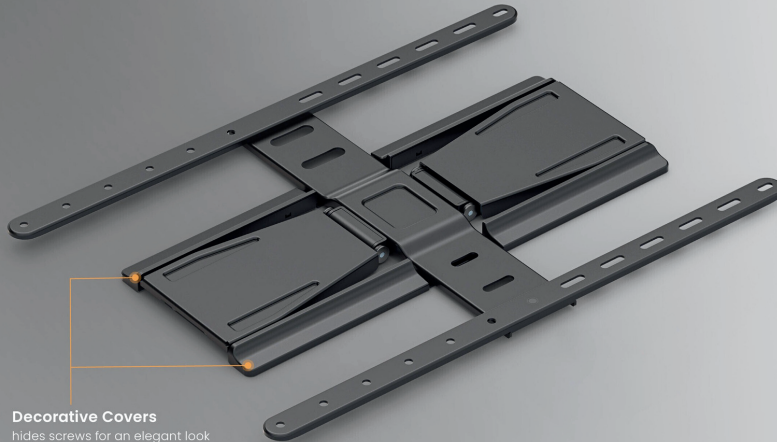
### Ultra-Slim Full-Motion TV Wall Mounts



**Easy to Install**  
with a durable mounting hook for increasing stability and safety

### Stylish and Intuitive Design

The VS02 Series provides an aesthetic appearance with professional surface finish. Featuring a lower profile than traditional full-motion mounts, the VS02 Series positions TVs closer to the wall creating a streamlined and clean look. In addition, versatile adjustments bring a better user experience.



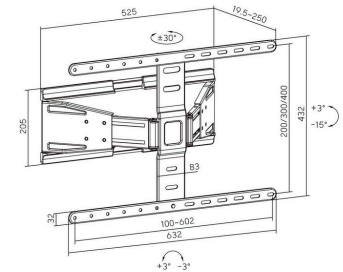
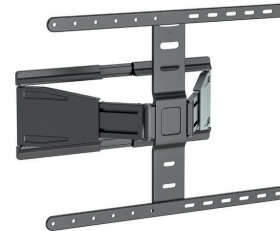
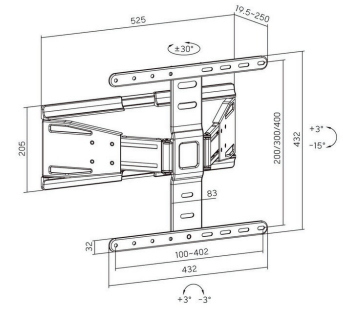
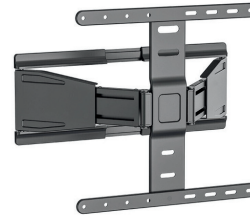
**Decorative Covers**  
hides screws for an elegant look

## VS02 Series

### Ultra-Slim Full-Motion TV Wall Mounts

# VSYS

Dimensions (mm)



Fit Screen Size	37"-75"	43"-90"
Weight Capacity	50kg (110lbs)	50kg (110lbs)
Max. VESA	400 x 400	600 x 400
Profile	19.5-250mm (0.77"-9.8")	19.5-250mm (0.77"-9.8")
Tilt Range	+3°--15°	+3°--15°
Swivel Range	+30°--30°	+30°--30°
Screen Leveling	+3°--3°	+3°--3°
Material	Steel, Plastic	Steel, Plastic

# VFS Series Cost-Effective Aluminum TV Carts



## VFS Series Cost-Effective Aluminum TV Carts

# VSYS



Portrait or Landscape  
Orientation (VFS Series)

-  **Aluminum Column**  
lightweight & durable
-  **Height Adjustable Shelf**  
holds AV equipment and small items
-  **4 Locking Casters**  
smooth movement & lock in place

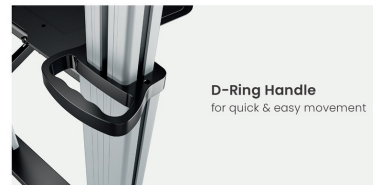


**Height Adjustment**  
for any desired TV position  
along the column

1200 to 1600mm  
(47.2' to 63')



**Toolless Tilting**  
+5° to -10°



**D-Ring Handle**  
for quick & easy movement



**Cable Management**  
keeps everything organized

VTL Series

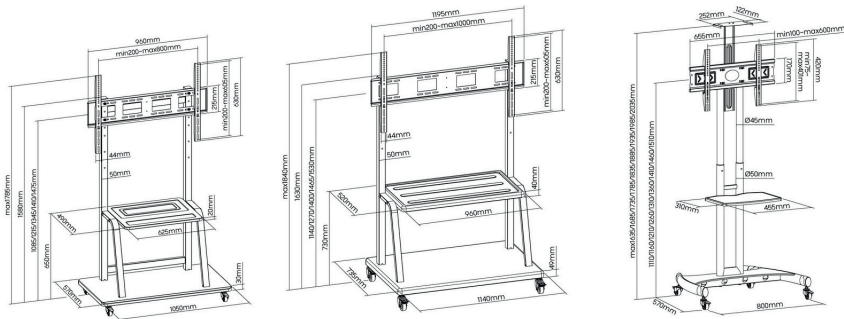
# Height Adjustable Steel TV Carts

Budget-friendly solutions without sacrificing the quality



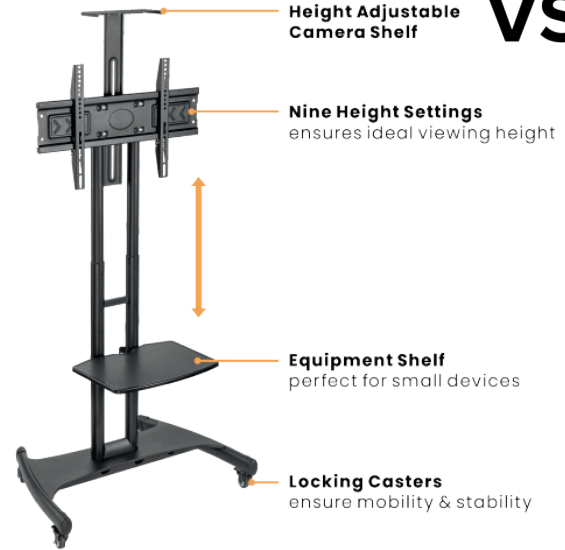
Weight up to 150kg/330lbs

Weight up to 150kg/330lbs



	37"-100"	55"-100"	32"-65"
<b>Fit Screen Size</b>	37"-100"	55"-100"	32"-65"
<b>Max. VESA</b>	800x600	1000x600	600x400
<b>TV Weight Capacity</b>	150kg (330lbs)	150kg (330lbs)	45kg (99lbs)
<b>Shelf Weight Capacity</b>	20kg (44lbs)	20kg (44lbs)	5kg (11lbs)
<b>Material</b>	Steel, Plastic		

# VSYS



**Height Adjustable Camera Shelf**

**Nine Height Settings**  
ensures ideal viewing height

**Equipment Shelf**  
perfect for small devices

**Locking Casters**  
ensure mobility & stability



**5 Vertical Height Setting**  
ensures ideal viewing height

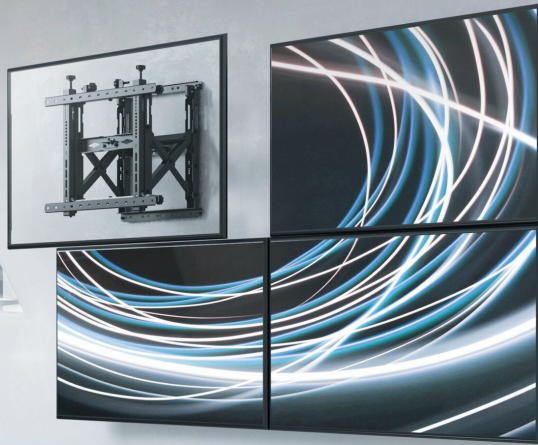
**Equipment Shelf**  
for equipment or materials

**Sturdy Base**  
ensures stability & offers extra storage for items

**Locking Casters**  
ensure mobility & stability

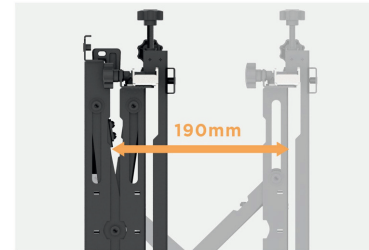
## VSVW Series Optimal Full Service Video Wall Mount with Quick Release

Installers will love the VSVW Series Optimal Full Service Video Wall Mount! Easy to configure, quick to install, and a snap to maintain. A powerful structure loaded with time-saving features including toolless micro-adjustments and easy access to displays for quick serviceability.

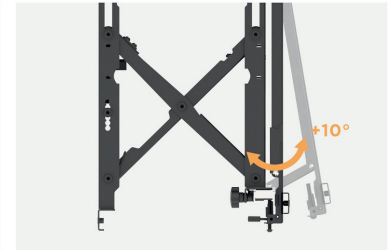


### VSVW Series

## Optimal Full Service Video Wall Mount with Quick Release

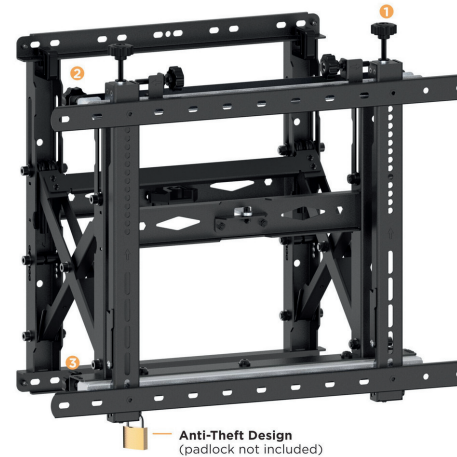


**Push to Open or Close**  
easy to pop-out for quick service access

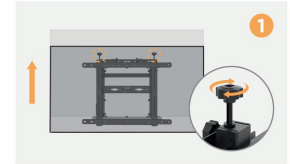


**Kick-Stands**  
provides 10° tilt for maintenance

### Toolless Micro-Adjustments ensure seamless alignment



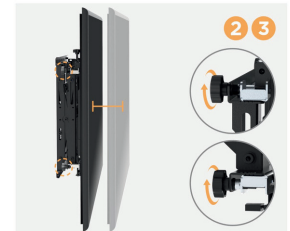
**Anti-Theft Design**  
(padlock not included)



**Height Adjustment: +13mm**



**Tilt Range: +2° - 3°**  
rotating two knobs in opposite directions



**Depth Adjustment: +13.5mm**  
rotating two knobs in the same direction

**VSVW Series**  
**Multi-screen Video wall mounts**  
 Built video wall easily!



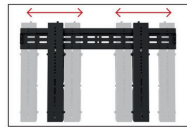
**Easily**  
**pop-out & quick-lock**  
 mechanism



**Protects Displays**  
 by removing the possibility  
 of accidental pop-outs via  
 the plastic locking pieces



**Built-in Screen Level  
 Adjustment**  
 for seamless display  
 alignment and level



**Lateral Shift Brackets**  
 enable easy alignment



**Anti-Theft Design**  
 (require for a padlock)



**Quick-Lock by a Press**  
 allows easy installation

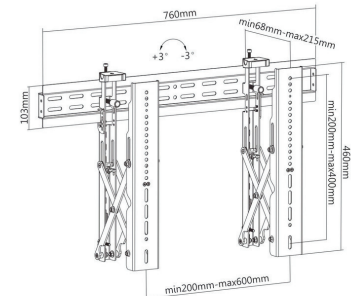


**Easily Pulled Out for Quick  
 Maintenance**

**VSVW Series**  
**Multi-screen Video wall mounts**  
 Built video wall easily!

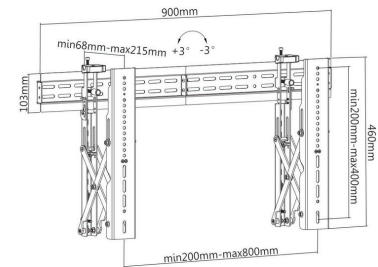
**VSVW Series**

- Screen Size  
37" - 70"
- VESDA Compatible  
300x200 300x300  
200x200 400x300  
600x400 800x400
- Profile to Wall  
68-215mm/  
2.7"-8.5"
- Four Times  
Strength Tested
- Screen Level  
+3° - -3°
- Weight Capacity  
45kg/99lbs
- Anti-theft



**VSVW Series**

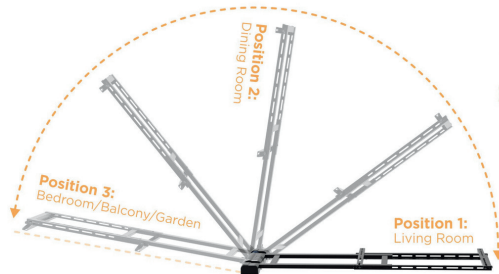
- Screen Size  
37" - 70"
- VESDA Compatible  
300x200 300x300  
400x300 400x400  
600x400 800x400
- Profile to Wall  
68-215mm/  
2.7"-8.5"
- Four Times  
Strength Tested
- Screen Level  
+3° - -3°
- Weight Capacity  
45kg/99lbs
- Anti-theft



## VCM Series Motorized & Manual Swing TV Mounts



VCM Series  
**Motorized & Manual  
Swing TV Mounts**  
Watch 1 TV in 3 Different Places

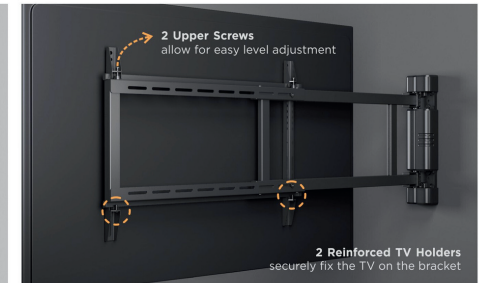


**POSITION IT ANYWHERE**

**1 TV + 1 SWING TV MOUNT  
= 3 TVS**



**Ultra-Slim but Sturdy Construction**  
holds up to 150kg (330lbs) in load testing  
which is 3 times as heavy as the rated  
lifting capacity.



**2 Upper Screws**  
allow for easy level adjustment

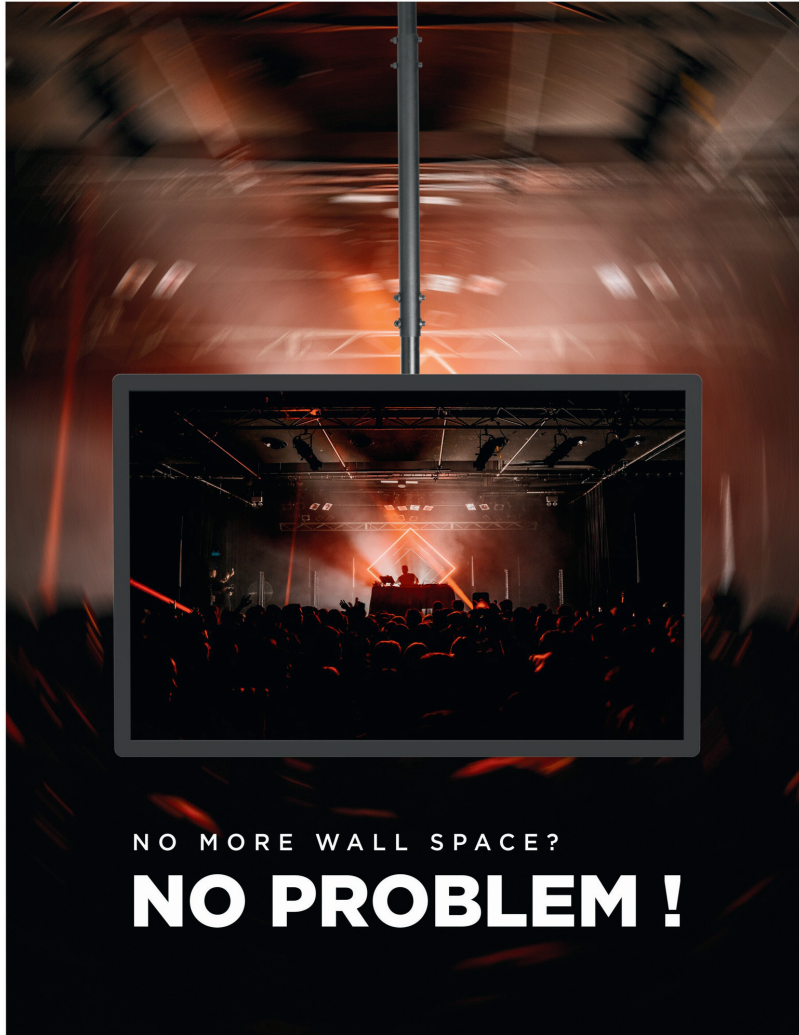
**2 Reinforced TV Holders**  
securely fix the TV on the bracket



**Cable Management**  
keeps everything organized

VCM Series

Economy Heavy-Duty TV Ceiling Mount

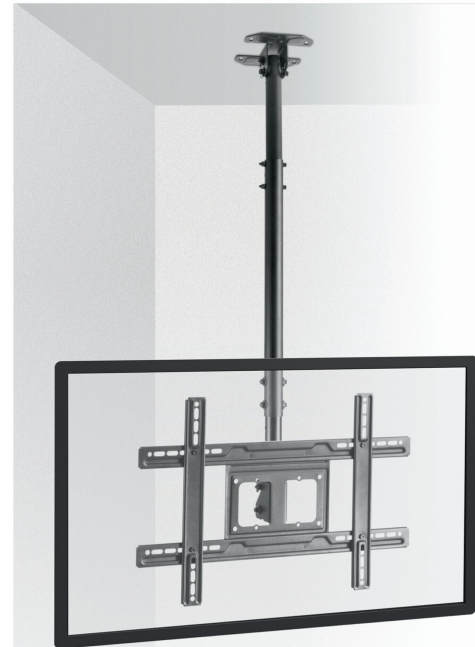


NO MORE WALL SPACE?

**NO PROBLEM !**

VCM Series

Economy Heavy-Duty TV Ceiling Mount



VCM Series

**WIDER**  
Height Adjustment  
Range

**STRONGER**  
Loading Ability

**DETACHABLE**  
VESA Plate



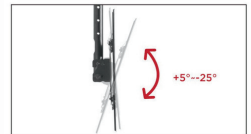
**Tilt Ceiling Plate**  
can be adjusted for flat or pitched ceilings.  
(Fits single wood stud and roof beam installation)



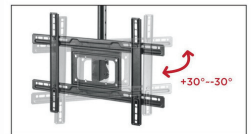
**Telescopic Pole**  
allows quick and easy height adjustment.



**Cable Management**  
keeps everything organized.



**Tilt VESA Plate**  
provides the optimal viewing angle.



**Swivel Adjustment**  
ensures the effortless positioning.

# Pro AV Solutions For Retail, QSR & Restaurant



# VSYs

---

**KSA**

# 241, Al Salma Center, Abu Baker  
Siddique Street, MADINA Road,  
Jeddah - 22234  
+ 966 536107800

**UAE**

# 1017 Tanvi Business  
Center, Port Saeed, Dubai  
+971 555644875